

PRODUCT NUMBER
75188-YXX-XXLF

WHEN REQUIRED, ADD SUFFIX LETTER "LF"
INDICATES THE PRODUCT IS RoHS COMPLIANT
& COMPATIBLE, SEE NOTE 8

NUMBER OF CONTACTS 02 TO 18

PIN STYLE SEE TABLE

PLATING:

1 = 0.76µm FULL GOLD, OVER 1.27µm Ni MIN

3 = 3.81µm FULL TIN/LEAD OVER 1.27µm Ni MIN.

WHEN "LF" IS REQUIRED, 2µm MATTE TIN OVER
1.27µm MIN NICKEL IS PROVIDED INSTEAD OF TIN-LEAD

8 = 0.38µm FULL GOLD, OVER 1.27µm Ni MIN

NOTES:

1. HOUSING MAT'L : HIGH TEMPERATURE THERMOPLASTIC
FLAME RETARDANT PER UL94-V0, COLOR BLACK.

2. PIN MATERIAL : PHOSPHOR BRONZE.

3. DIM 1.27^{+0.03}/_{-0.13} FOR MOULDED SIDE(S)
ONLY. IF SIDE(S) ARE BROKEN, DIM 1.02
TO 1.7 MAX APPLIES.

4. PIN PUSH OUT FORCE : 12N MIN.

5. PRODUCT PACKAGED IN POLY BAGS.

6. TO DETERMINE DIMENSIONS :
N = NUMBER OF CONTACTS

7. FOR STANDARD SELECTIVE GOLD PLATED
PRODUCTS, SEE DRAWING 77312

8. RoHS COMPATIBLE PRODUCT SPECIFICATIONS

a - SUFFIX "LF" IS ADDED JUST FOR EASY
LEADFREE IDENTIFICATION FOR PLATING VERSION 1 & 8.

b - MANUFACTURING PROCESS COMPATIBILITY

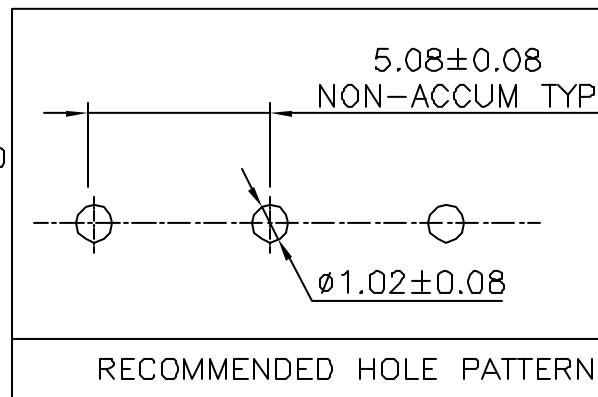
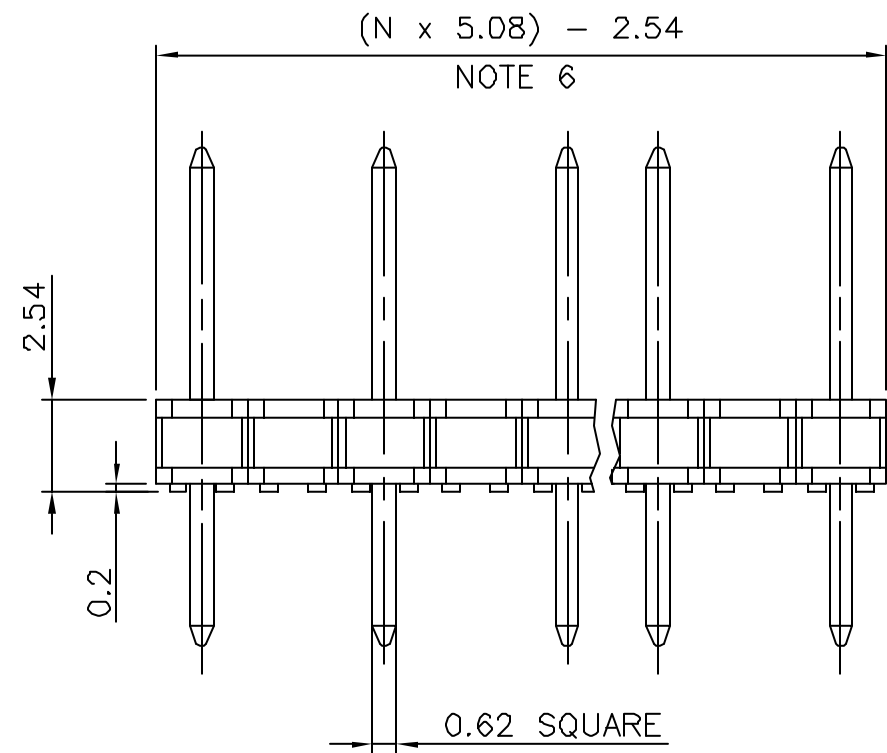
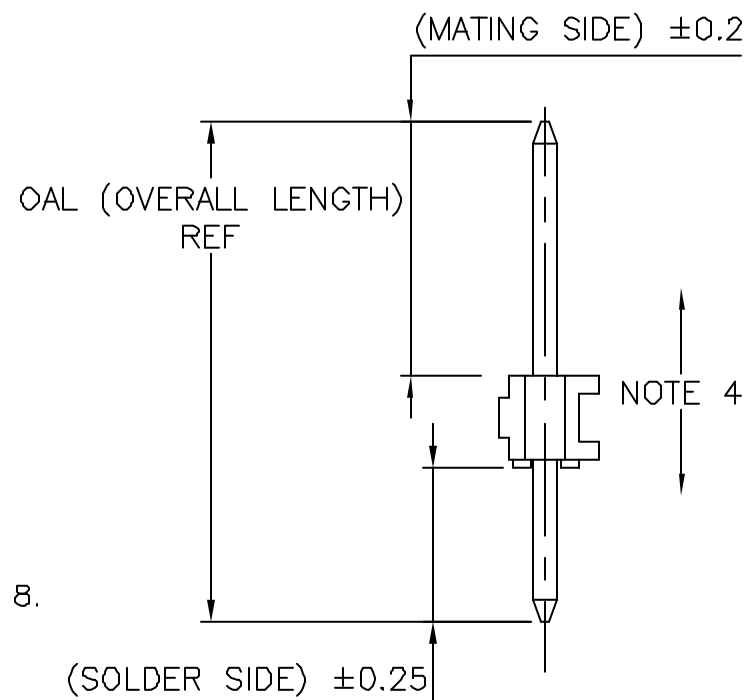
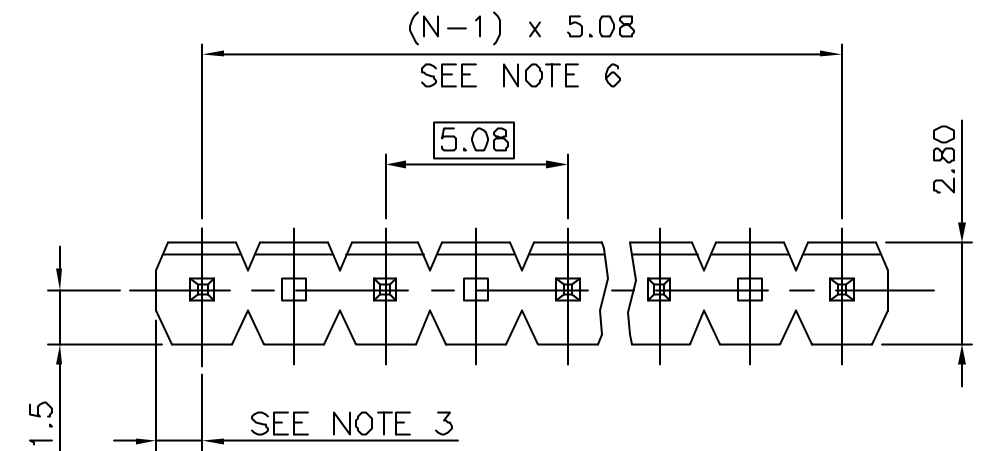
- THE HOUSING WILL WITHSTAND EXPOSURE TO
260°C ±5°C SOLDER BATH TEMPERATURE FOR
5 SECONDS IN A WAVE SOLDER APPLICATION
WITH A 1.6mm MIN THICK CIRCUIT BOARD.

c - LABELING:

- MEETS PACKAGING SPECS AS PER GS-14-920

d - LEGAL STATEMENT: SEE GS-22-008

PIN STYLE	PRODUCT DIMENSIONS		
	"A" ±0.15	"B" ±0.2	OAL REF
01	5.72	2.54	10.8
02	5.84	3.43	11.81
03	5.72	5.08	13.34
06	5.72	12.7	20.96
15	8.51	2.54	13.59
18	5.72	3.05	11.3
19	12.83	3.05	18.42
25	8.51	3.17	14.22
28	6.6	4.2	13.34
30	22.61	3.43	28.58
37	27.62	3.5	33.66



mat'l. code SEE NOTES				surface ISO 1302 ✓	tolerance ISO 406 ISO 1101	projection mm	product family BERGSTIK
ltr	ecn no	dr	date	tolerances unless otherwise specified		mm	title HEADER SR,STR 5.08mm PITCH
M	F10078	JMC	91.02.25	angles	.x ±0.3	scale 5:1	dwg no 75188
N	F05-0186	LMU	05.05.04	linear	.xx ±0.15	FCI	sheet 1 of 1
P	F06-0196	LMU	06.06.20		.xxx ±0.05		size A3
				dr	L.MULIN	05.05.04	type CUSTOMER Drawing
				enr	JMC	05.05.04	
				chr			
				appd	JMC	05.05.04	
sheet index	revision sheet						